

# RIGID • IMC

## Universal Super Fitting™ 3 Piece Coupling Raintight



### Applications

- Used to join two lengths of conduit; couples conduit when conduit cannot be turned
- Suitable for outdoor applications
- Threaded GRC/IMC to Threaded GRC/IMC
- Threaded GRC/IMC to Unthreaded GRC/IMC
- Threaded GRC/IMC to Thin Wall EMT

### Features

- UL Listed for Wet Location
- Ease of installation/Quick-connect
- Universal connecting - Threaded to Threaded, Threaded to Unthreaded
- No more turning Pipe
- Self Pipe Alignment
- Eliminates field threading
- Fit GRC/IMC/EMT (Fits all UL approved metal Pipe)
- 40 to 50% less weight

### Standard Materials

Steel, Nylon, Neoprene

### Standard Finish

Zinc Plated

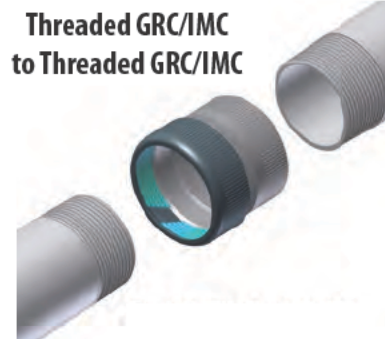
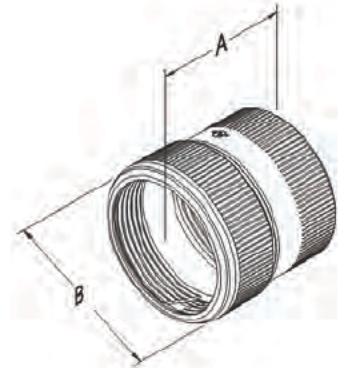
### Applicable Third Party Standards

- UL us listed UL 514B; C22.2 No. 18.3-12
- UL Listed File # E207875

U.S. Patent No. 8.586.881



*No disassembly required!  
Just insert and tighten  
for a Raintight seal.*



**Threaded GRC/IMC  
to Threaded GRC/IMC**



**Threaded GRC/IMC to Unthreaded  
GRC/IMC/EMT**

CATALOG NUMBER	REPLACES PART NUMBER	TRADE SIZE	DIM A	DIM B	INNER PACK	MASTER PACK	WEIGHT PER UNIT (lbs)
SECR50KON	EC50KON	1/2"	2.110	1.235	25	100	0.245
SECR75KON	EC75KON	3/4"	2.089	1.442	25	100	0.285
SECR100KON	EC100KON	1"	2.461	1.715	10	50	0.432
SECR125KON	EC125KON	1-1/4"	2.609	2.070	5	25	0.586
SECR150KON	EC150KON	1-1/2"	2.647	2.315	5	25	0.670
SECR200KON	EC200KON	2"	2.705	2.800	2	10	0.840
SECR250KON*	EC250KON	2-1/2"	3.904	3.430	2	2	1.750
SECR300KON*	EC300KON	3"	4.024	4.060	1	1	2.110
SECR350KON*	EC350KON	3-1/2"	4.334	4.580	1	1	2.715
SECR400KON*	EC400KON	4"	4.444	5.080	1	1	3.715
SECR500KON	EC500KON	5"					

**\*\*COMING SOON\*\***

\* Use with Rigid, IMC & EMT